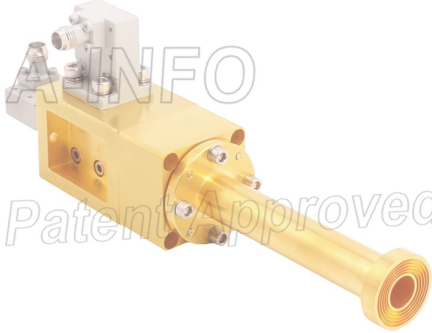


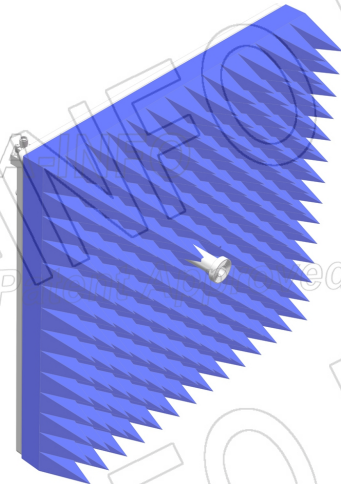
For reference only. See data sheet for the detailed specifications.

Technical Specification

LB-ACH-28-10-T16-C-KF



LB-ACH-28-10-T16-C-KF-A1



Frequency Range(GHz)	28.5 – 38.0	
Waveguide	WR28	
Gain(dBi)	10 Typ.	
Polarization	Dual Linear	
3dB Beamwidth(deg)	E Plane:	58 Typ.
	H Plane:	60 Typ.
10dB Beamwidth(deg)	E Plane:	107 Typ.
	H Plane:	111 Typ.
Cross Pol. Isolation(dB)	35 Typ.	
Port to Port Isolation(dB)	40 Typ., 30 Min.	
VSWR	A Type:	1.80:1 Typ.
	C Type:	1.80:1 Typ.
Output	A Type:	FBP320(UBR320) (Modified with 4xM3 D3)
	C Type:	2.92mm-Female 2.4mm-Female
Material	Cu	
Finish	Gold Plated, Gray Paint	
Size(mm)	A Type:	28.6 x 28.6 x 128.6
	C Type:	52.6 x 52.6 x 152.6
	A-A1:	259 x 259 x 166.7
	C-KF-A1:	259 x 259 x 190.7
Net Weight(Kg)	A Type:	0.35 Around
	C Type:	0.43 Around
	A-A1:	2.65 Around
	C-KF-A1:	2.73 Around

PATENT ID (China)

ZL202221063230.9

AINFO Inc.

China(Beijing):
China(Chengdu):
USA :

Tel: (+86) 10-6266-7326,
Tel: (+86) 28-8519-2786,
Tel: (+1) 949-639-9688,

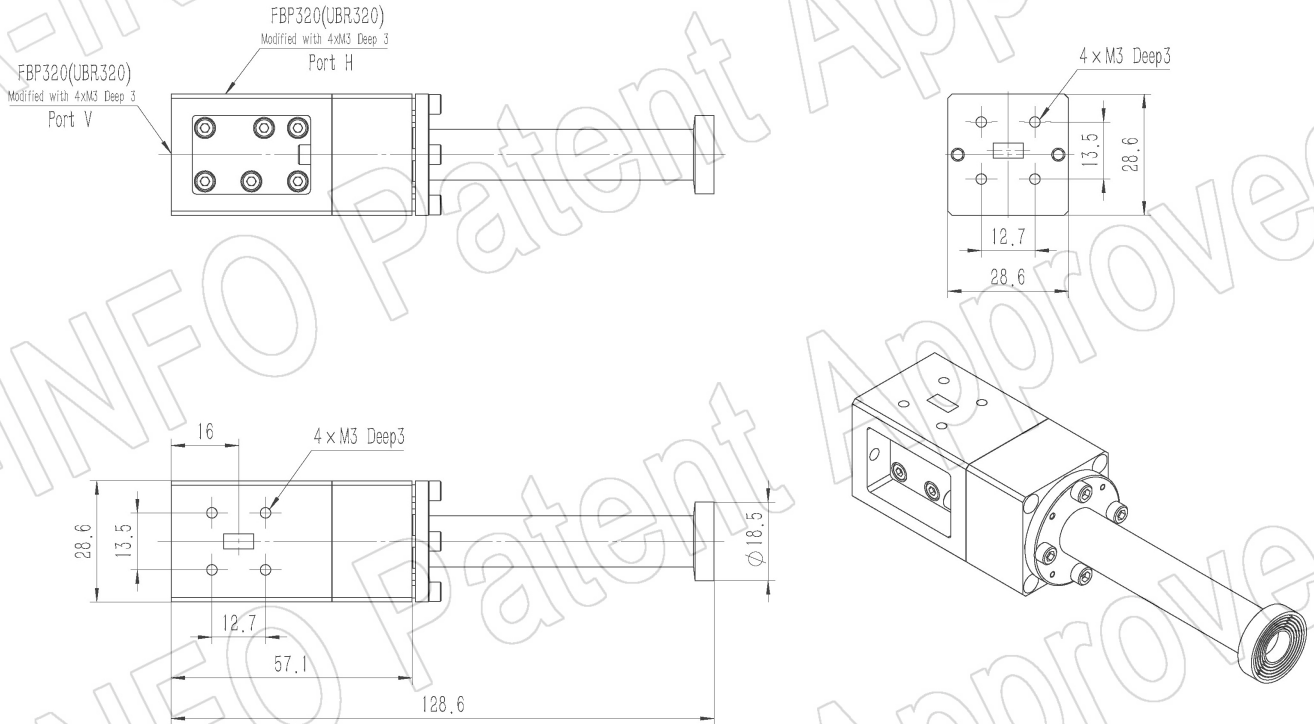
(+86) 10-6266-7327
(+86) 28-8519-3044
(+1) 949-639-9608

Fax: (+86) 10-6266-7379
Fax: (+86) 28-8519-3068
Fax: (+1) 949-639-9670

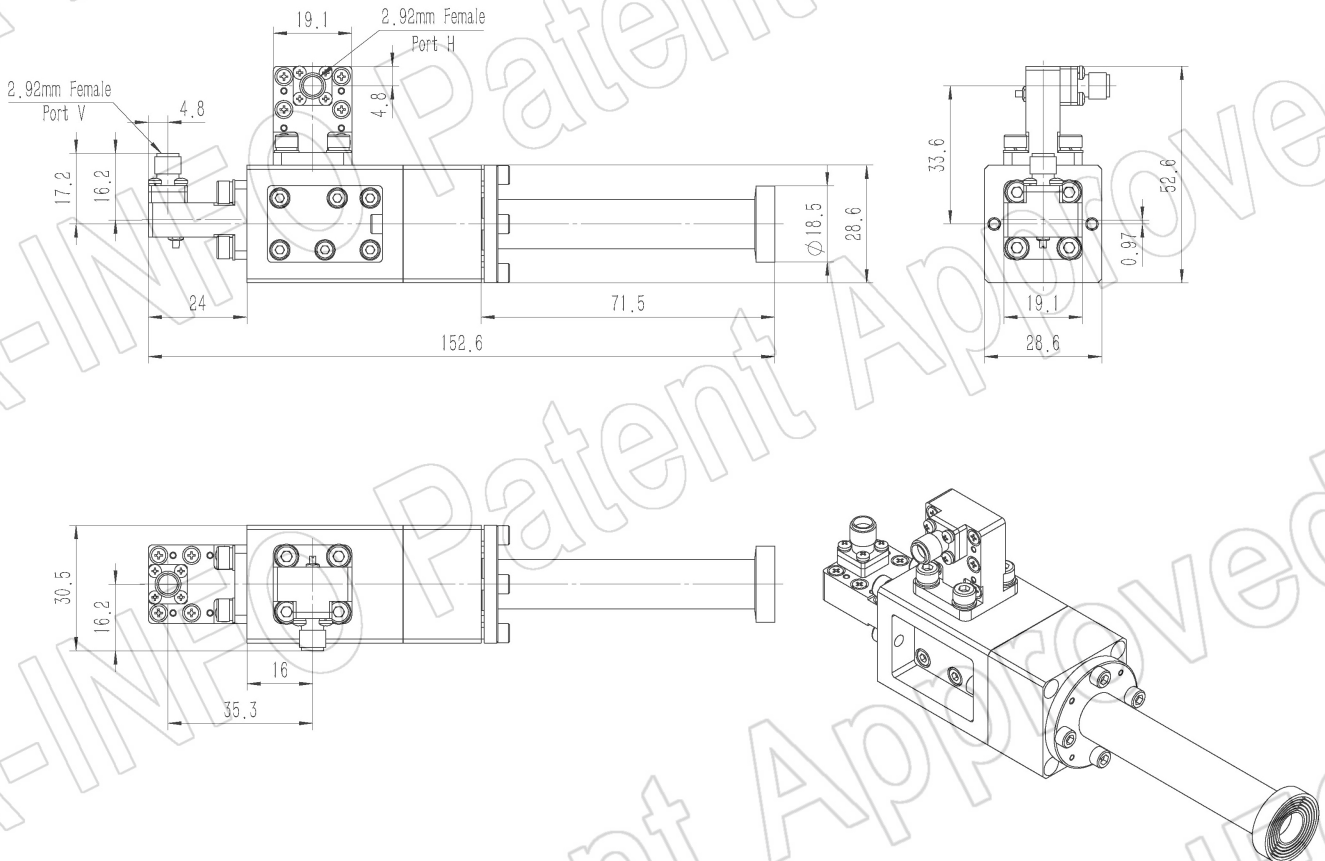
Website: www.ainfoinc.com
Email: sales@ainfoinc.com

Outline Drawing (Size: mm)

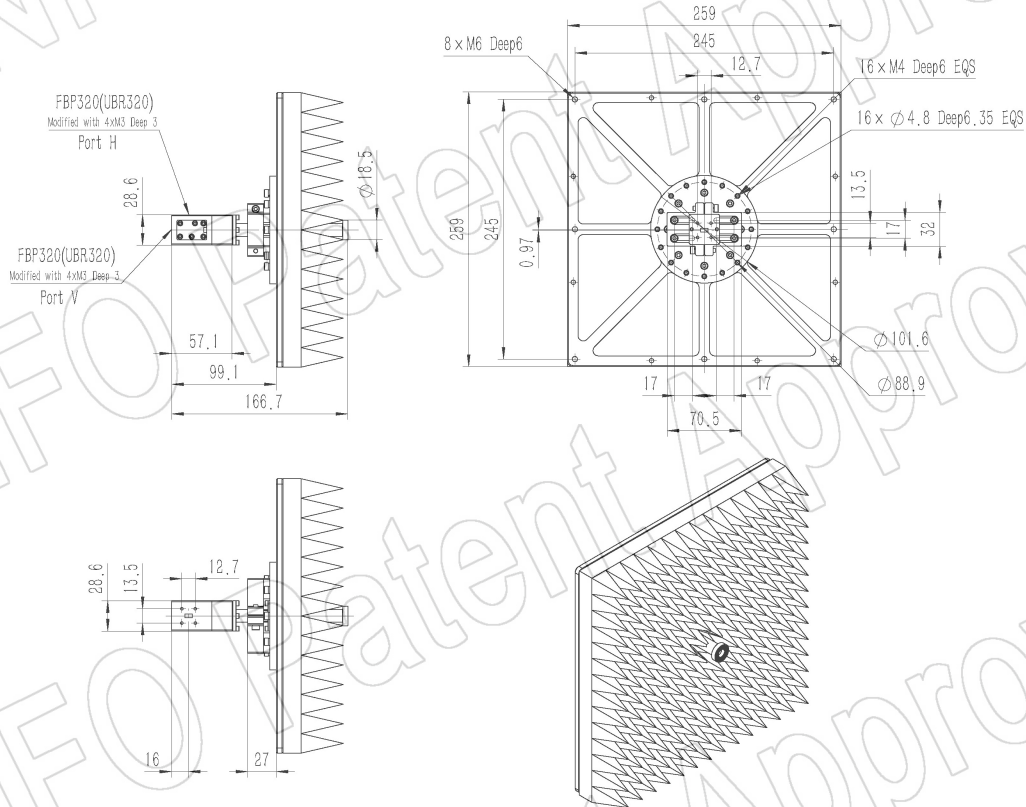
FBP320 Output (P/N: LB-ACH-28-10-T16-A)



2.92mm-Female Output (P/N: LB-ACH-28-10-T16-C-KF)
For 2.4mm-Female output outline drawing, please contact A-INFO.

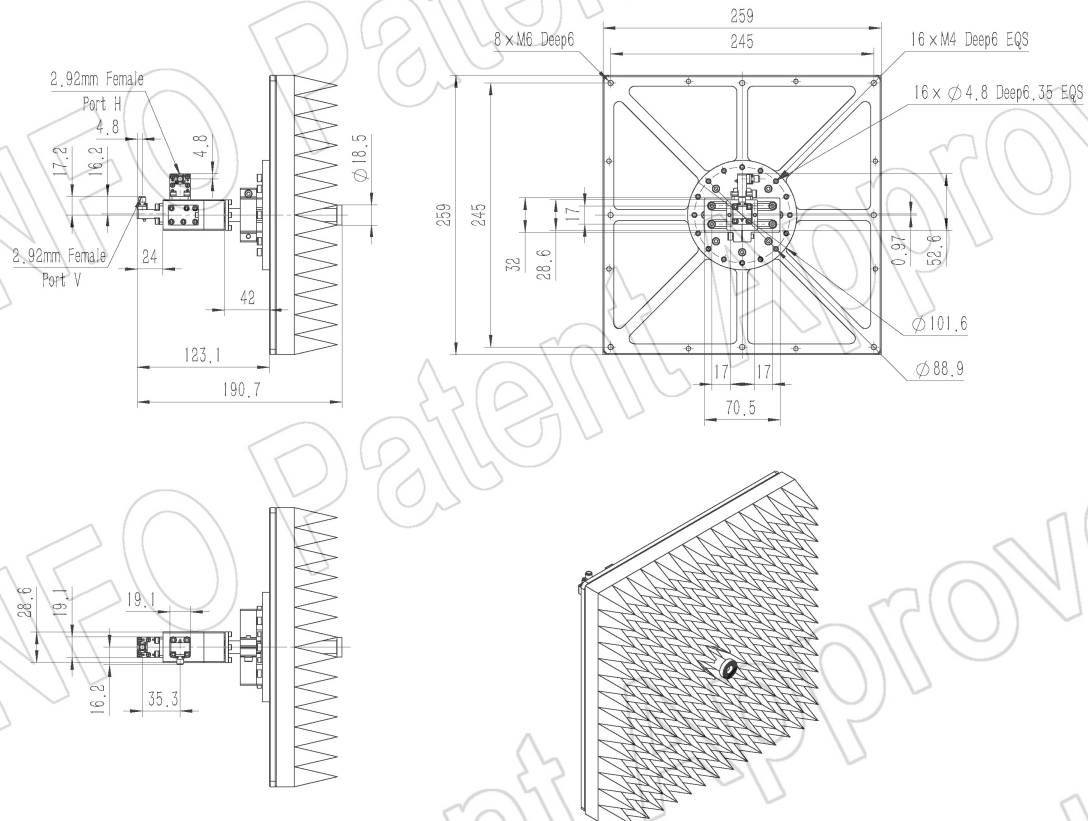


FBP320 Output, Equipped with Absorber (Option, P/N:LB-ACH-28-10-T16-A-A1)



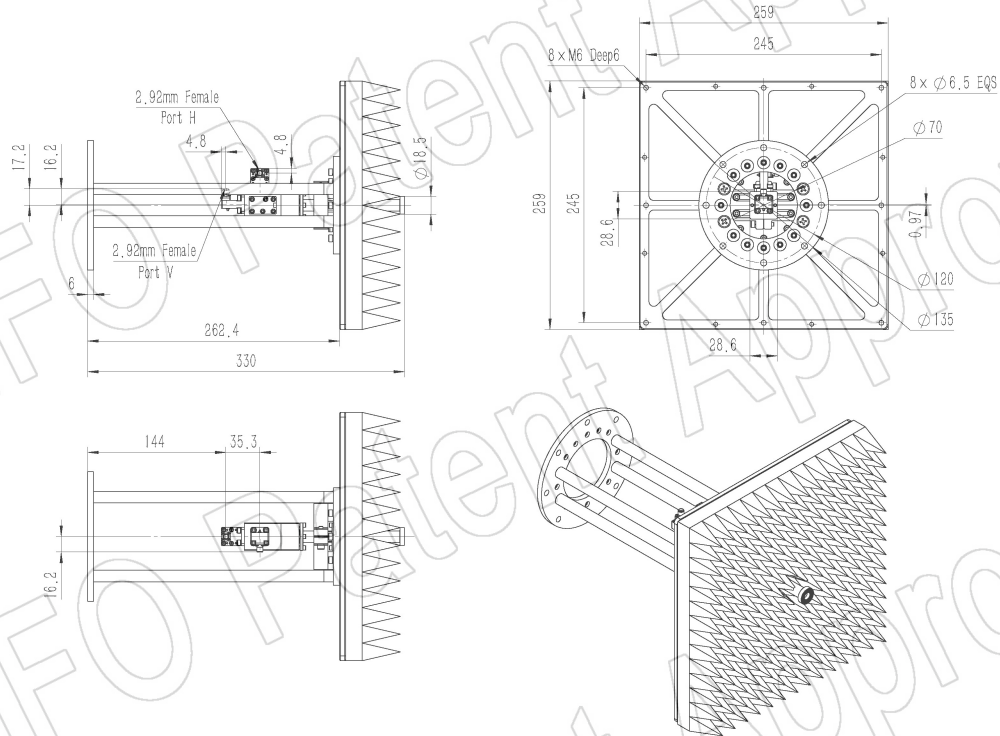
2.92mm-Female Output, Equipped with Absorber (Option, P/N: LB-ACH-28-10-T16-C-KF-A1)

For 2.4mm-Female output outline drawing, please contact A-INFO.



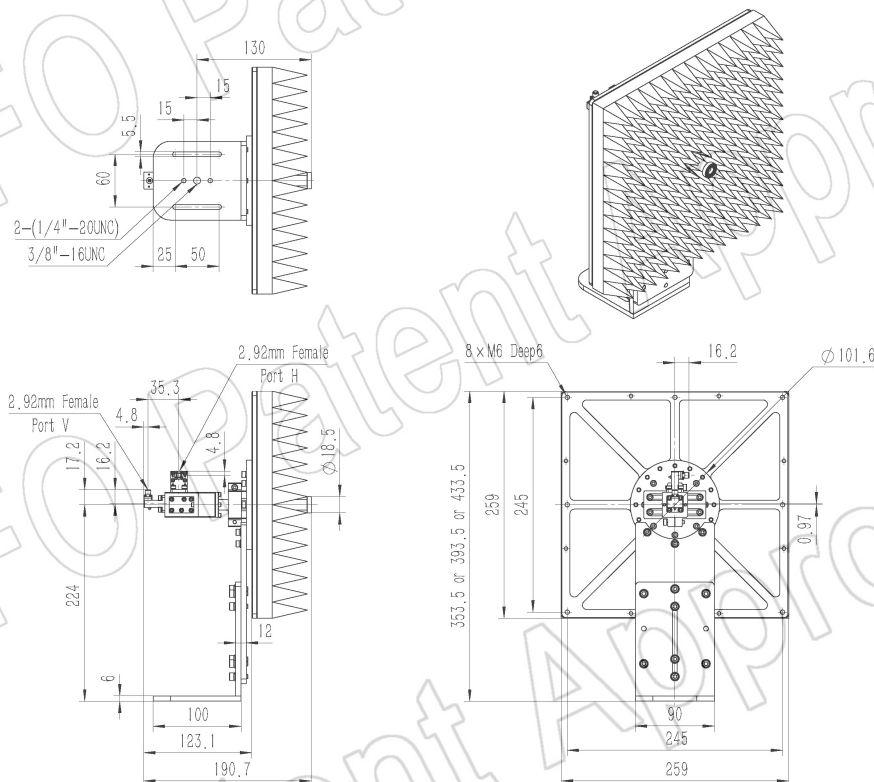
2.92mm-Female Output with Round Mounting Bracket & Equipped with Absorber (Option, P/N: EWG-MB40 & LB-ACH-28-10-T16-C-KF-A1)

For 2.4mm-Female output outline drawing, please contact A-INFO.

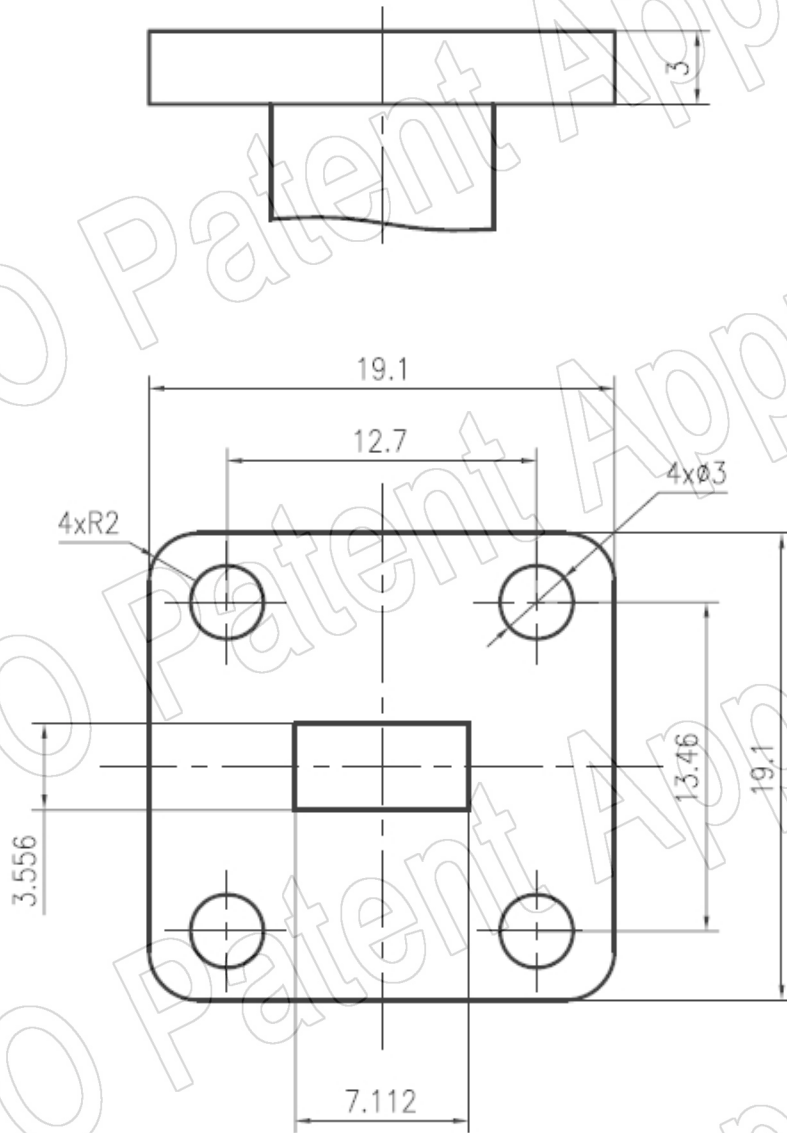


2.92mm-Female Output with L Type Mounting Bracket & Equipped with Absorber (Option, P/N: EWG-L40 & LB-ACH-28-10-T16-C-KF-A1)

For 2.4mm-Female output outline drawing, please contact A-INFO.



Flange Drawing (Size: mm)



FBP320

AINFO Inc.

China(Beijing):
China(Chengdu):
USA :

Tel: (+86) 10-6266-7326,
Tel: (+86) 28-8519-2786,
Tel: (+1) 949-639-9688,

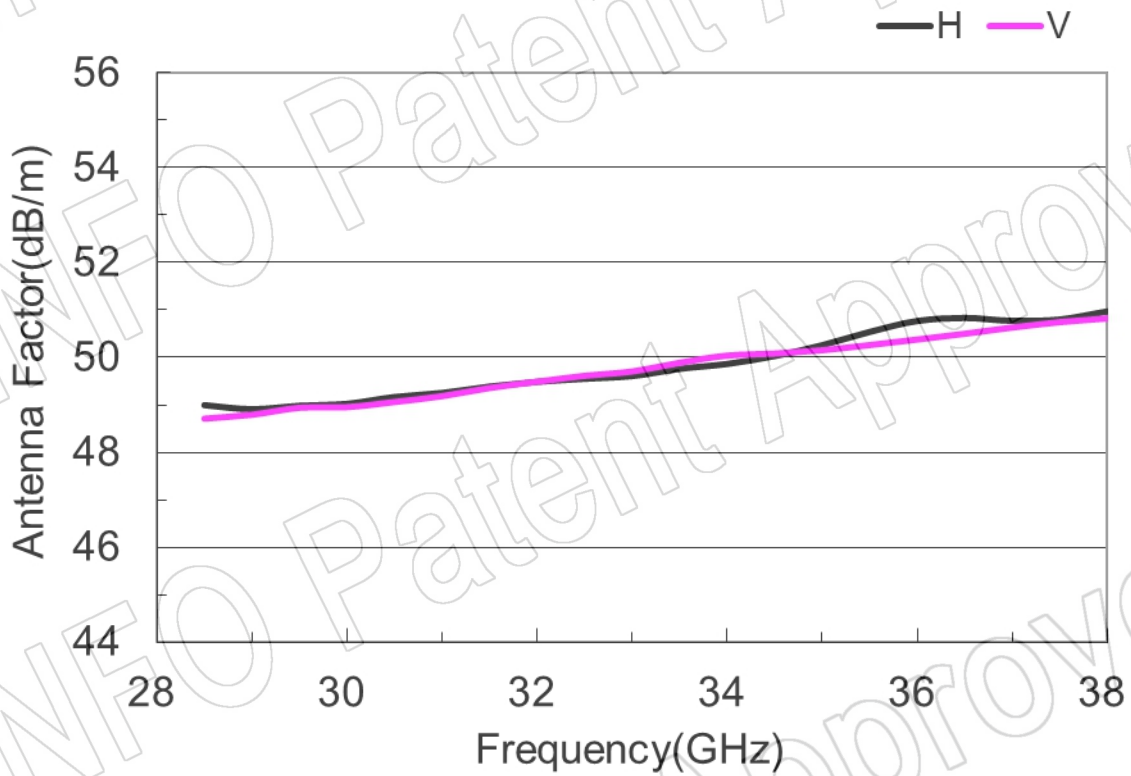
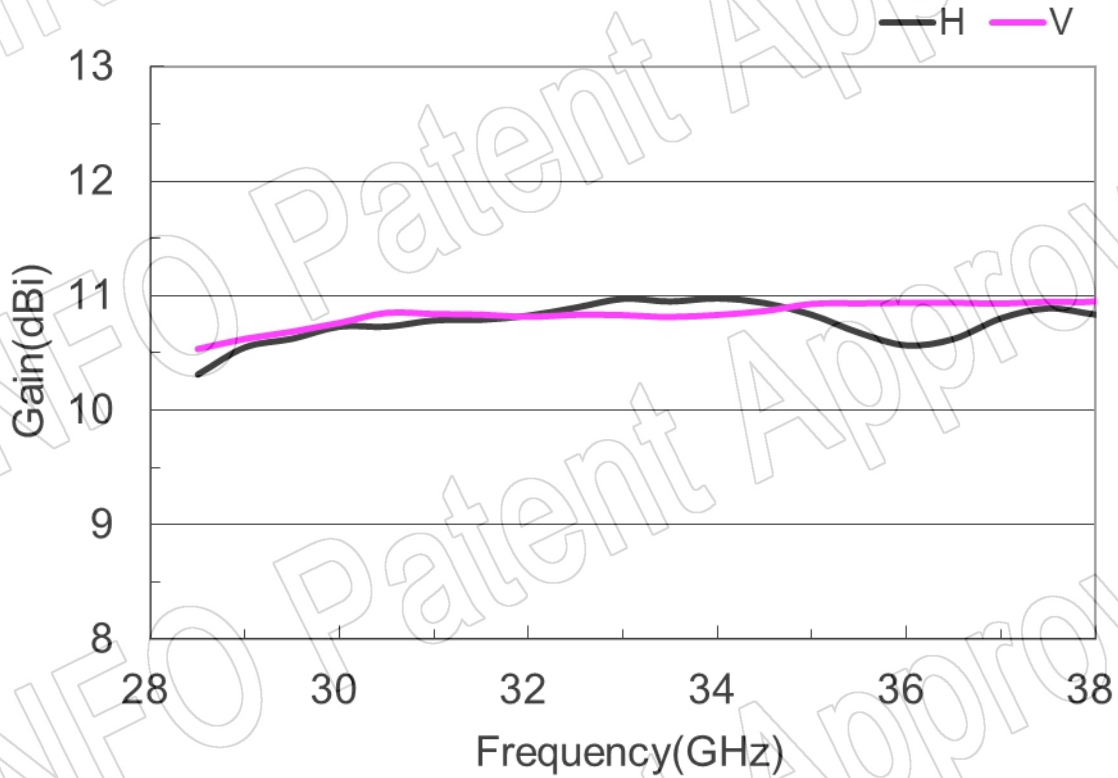
(+86) 10-6266-7327
(+86) 28-8519-3044
(+1) 949-639-9608

Fax: (+86) 10-6266-7379
Fax: (+86) 28-8519-3068
Fax: (+1) 949-639-9670

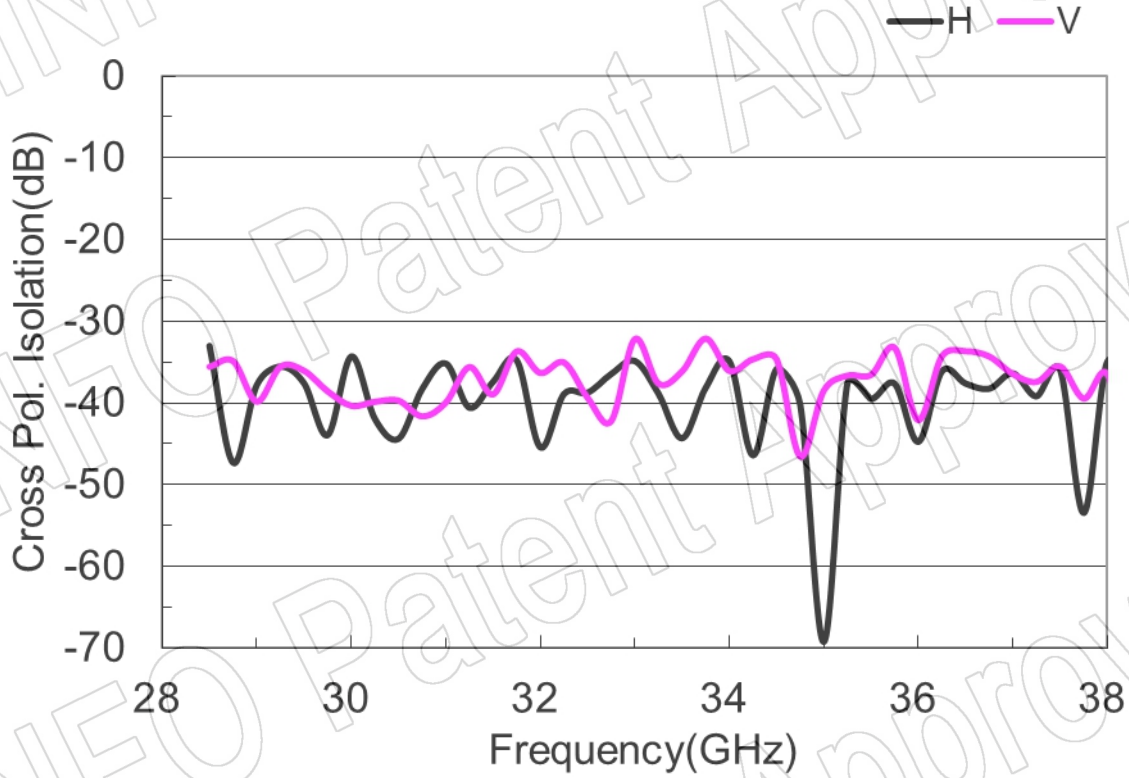
Website: www.ainfoinc.com
Email: sales@ainfoinc.com

Test Results

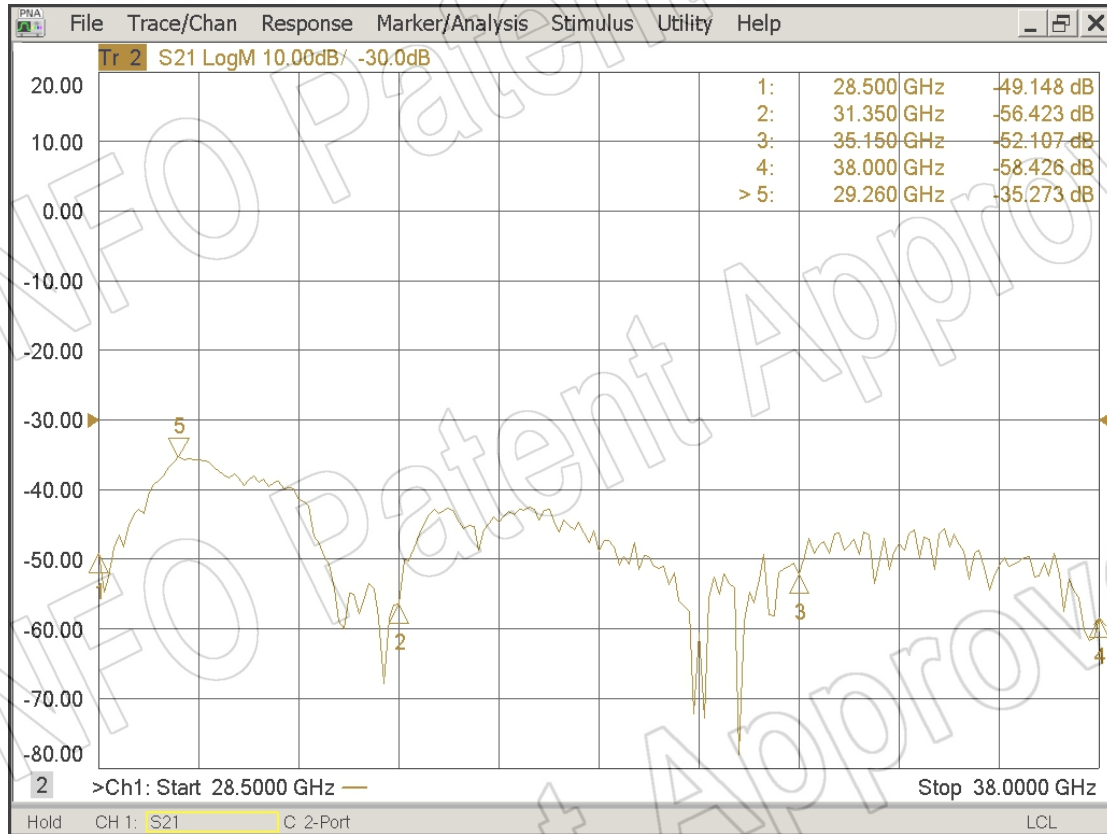
1. Gain & Antenna Factor



2. Cross Polarization Isolation

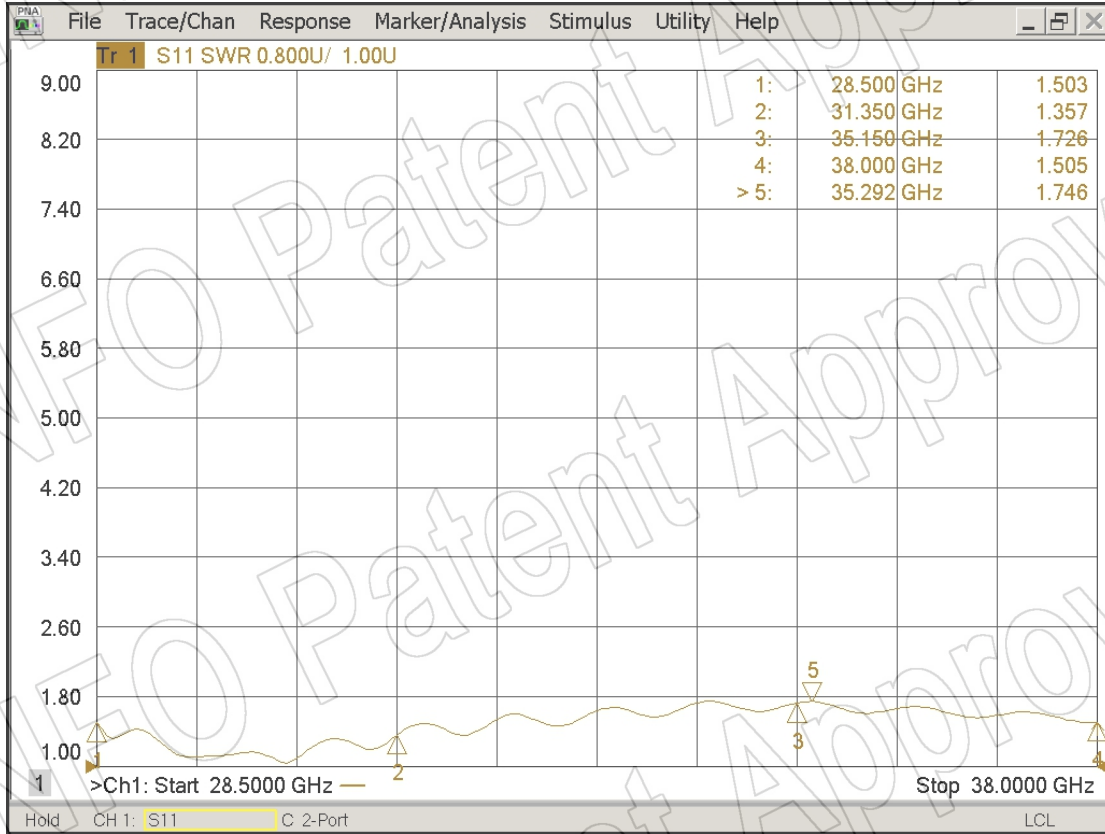


3. Port to Port Isolation

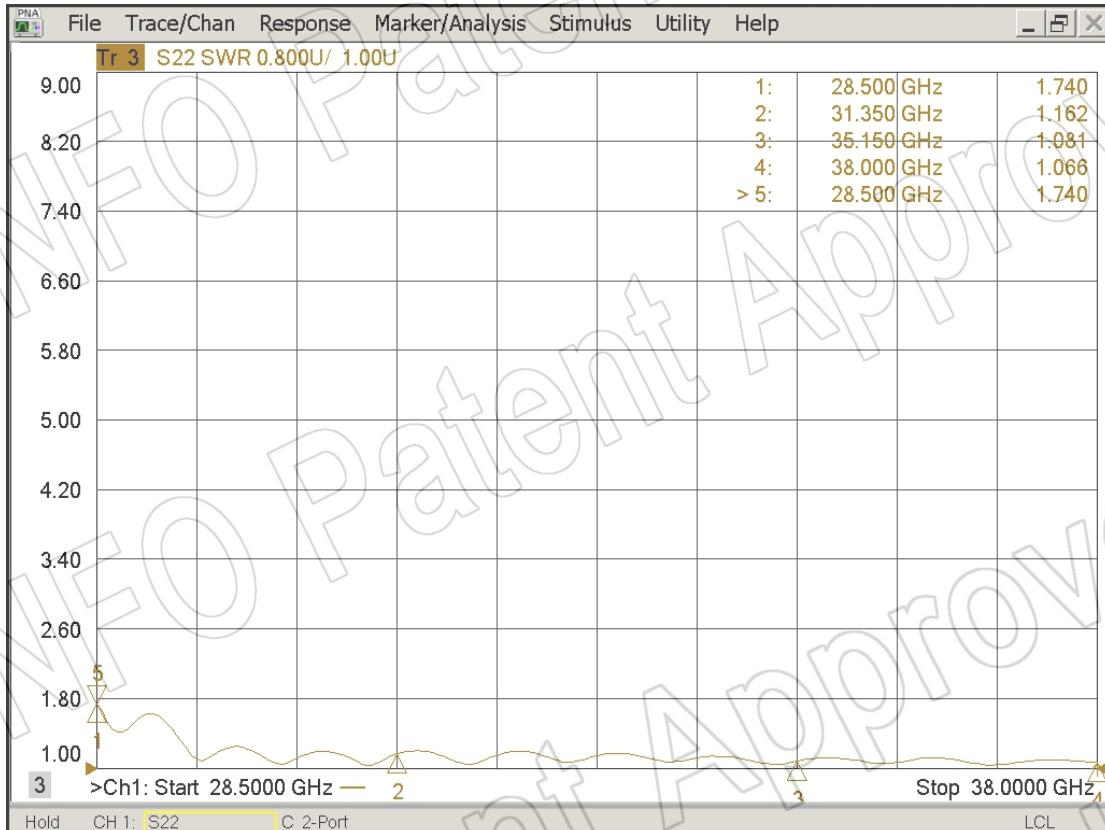


4. VSWR_A Type

Port-H

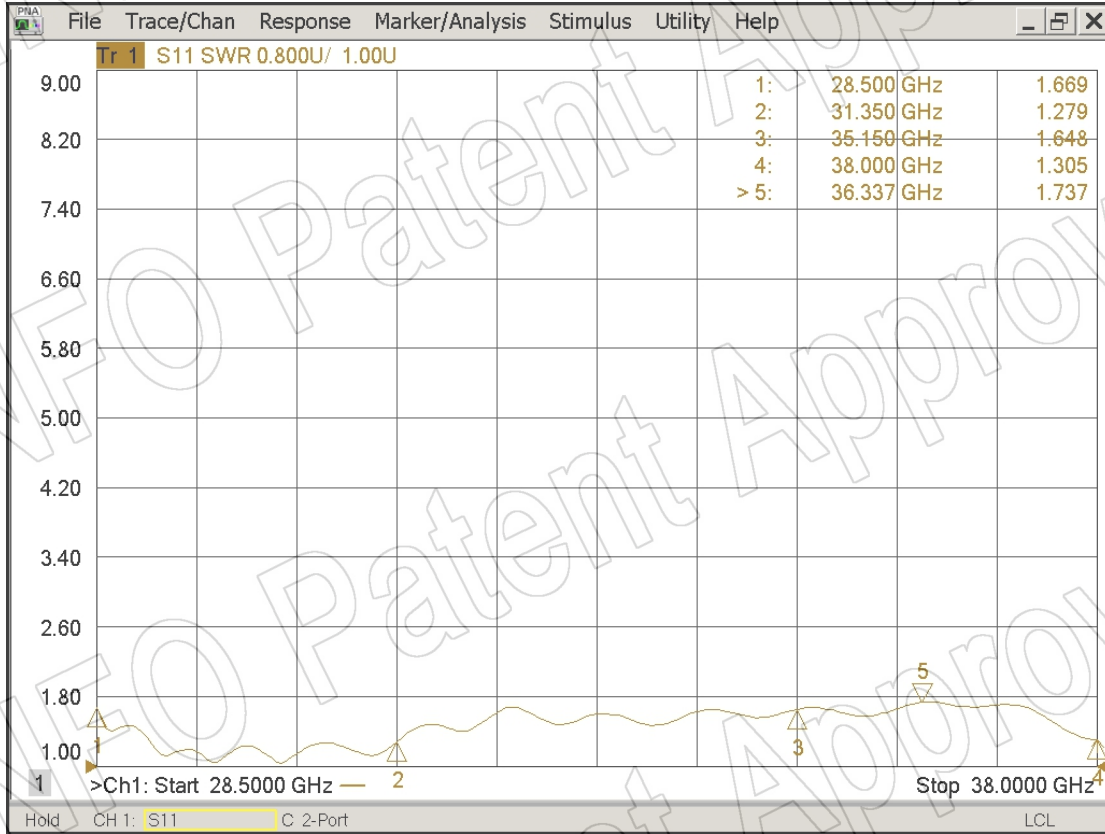


Port-V

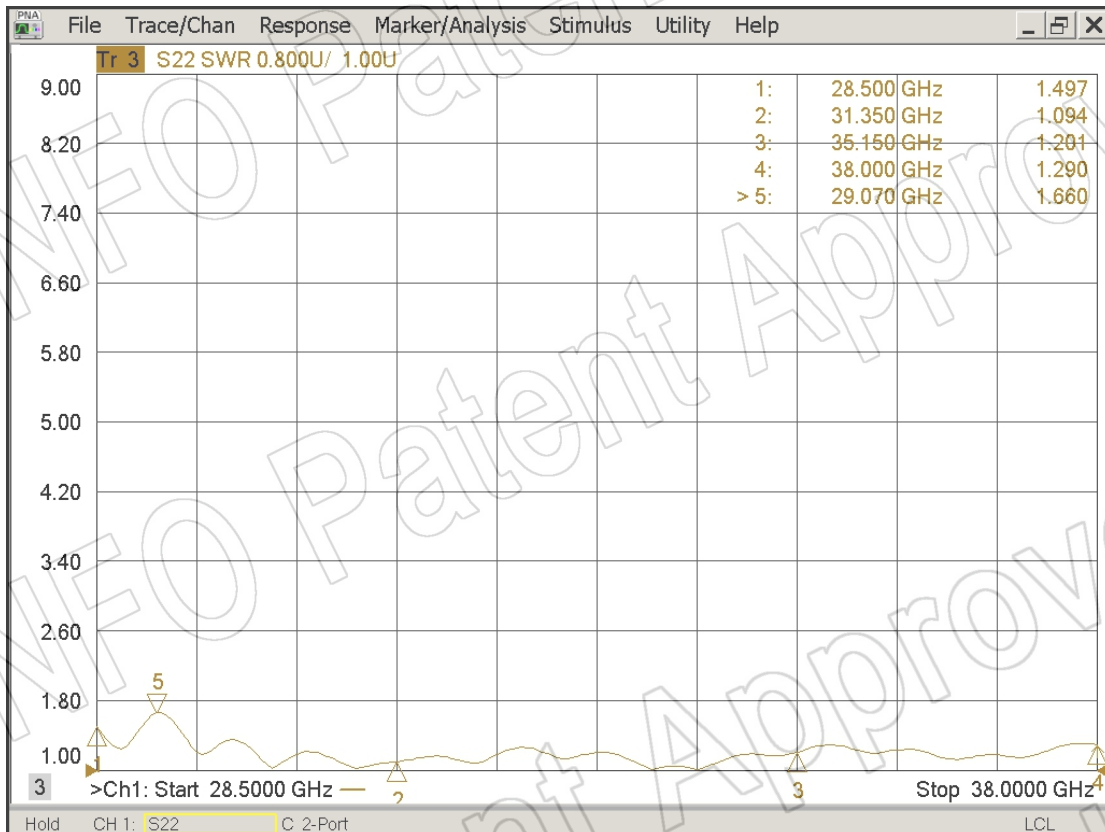


VSWR_C Type

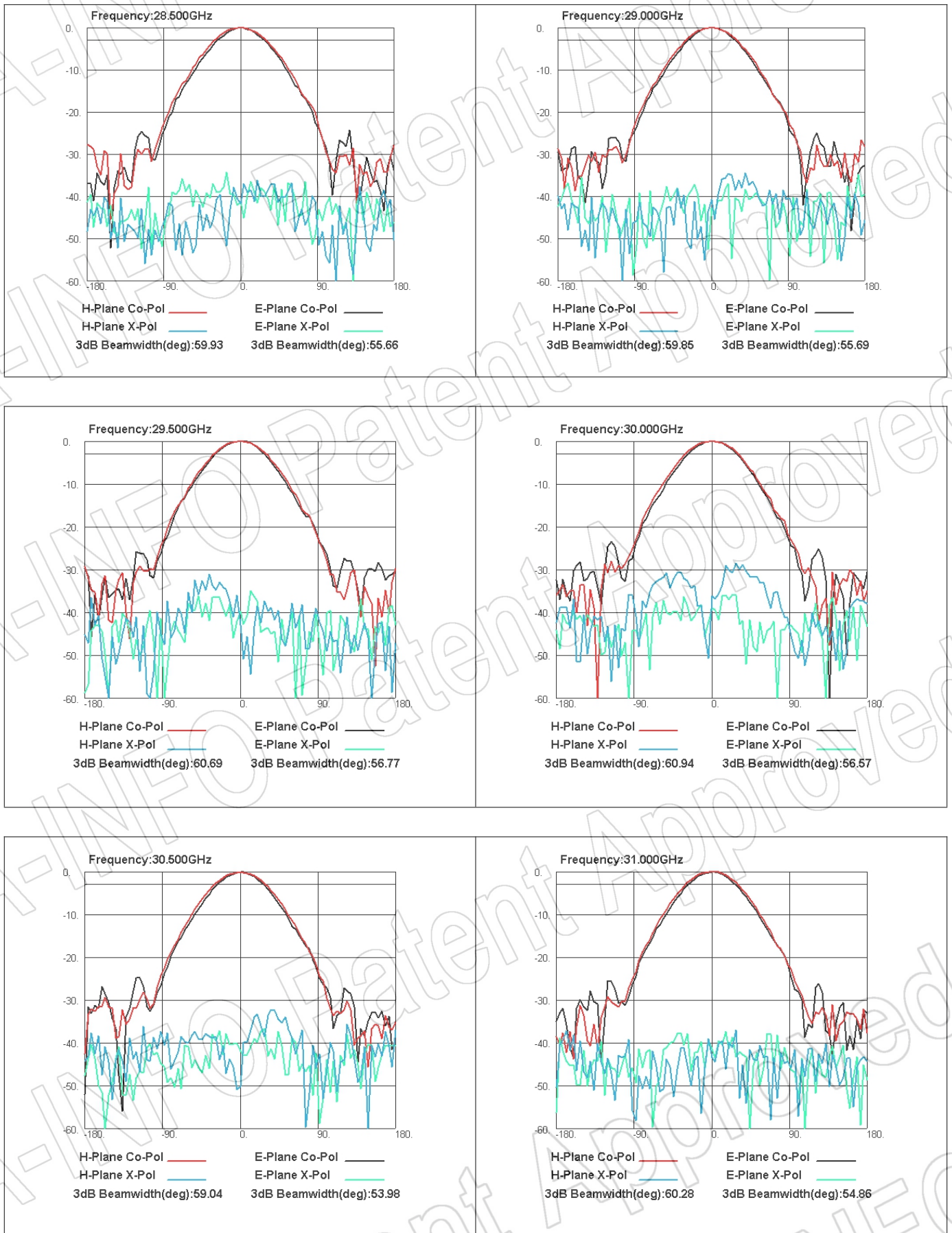
Port-H



Port-V



5. Pattern



AINFO Inc.

China(Beijing):
China(Chengdu):
USA :

Tel: (+86) 10-6266-7326,
Tel: (+86) 28-8519-2786,
Tel: (+1) 949-639-9688,

(+86) 10-6266-7327
(+86) 28-8519-3044
(+1) 949-639-9608

Fax: (+86) 10-6266-7379
Fax: (+86) 28-8519-3068
Fax: (+1) 949-639-9670

Website: www.ainfoinc.com
Email: sales@ainfoinc.com

